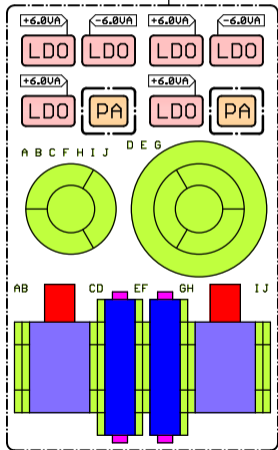
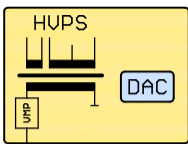
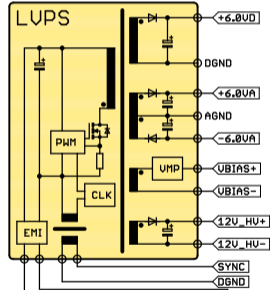
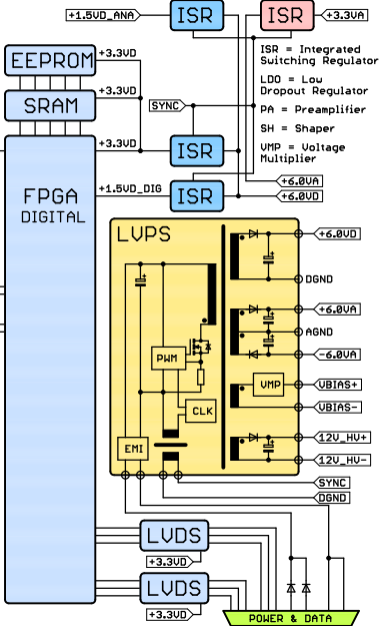
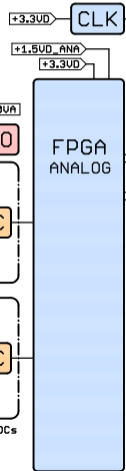


- POWER ANALOG
- SIGNAL ANALOG
- POWER DIGITAL
- SIGNAL DIGITAL

- PHOTODIODE
- AEROGEL
- SI-DETECTOR
- BGO
- PHOTOMULTIPLIER



AHEPaM EBOX



ISR = Integrated Switching Regulator
 LDO = Low Dropout Regulator
 PA = Pre-amplifier
 SH = Shaper
 UMP = Voltage Multiplier